

## Two-way Valves

1/2 to 1-inch

Normally Open or Normally Closed



Powermite MZ Series  
Two-way Globe Valve.

### Description

The Powermite MZ Series Two-way Globe Valves are designed to work with the SSB MZ Series Actuator with a 7/32-inch (5.5 mm) stroke.

### Features

- Direct-coupled universal bonnet/no tools required for installation
- ANSI Leakage Class IV (0.01% of Cv)
- ANSI Class 250 body
- Variety of actuators available
  - 0 to 10 V non-spring return
  - Floating control non-spring return
- Choice of end connections
- Greater than 100:1 rangeability for  $C_v \geq 1$
- Orderable as a valve only or as a complete valve/actuator assembly

### Applications

The Powermite MZ Series Two-way Globe Valves are used for control of hot or chilled water for convectors, fan coil units, unit conditioners, radiation, reheat coils, and similar terminal units requiring an actuator that delivers a minimum of 45 lbf. (200 N) of force.

#### Recommendation:

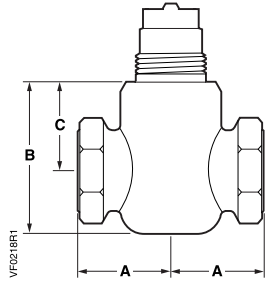
Use only with the MZ Series SSB Valve Actuators.

A-125

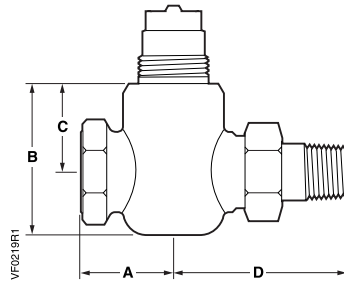
Valves



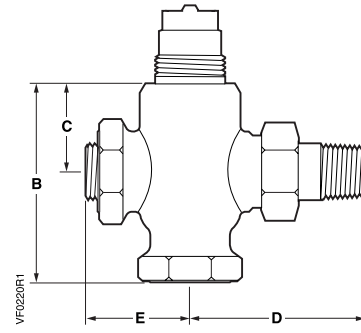
## Dimensions and Weights



Female NPT by Female NPT  
(FxF)



Female NPT by Union Male  
(FxUM)



Angle Female by Union Male  
(AFxUM)

Valve Size in.	Dimensions						Weight		
	A	B		C	D	E	FxF	FxUM	AFxUM
		FxF & FxUM	AFxUM (NO Only)						
1/2" (15 mm)	1-3/8" (35 mm)	2-1/4" (57 mm)	2-15/16" (74 mm)	1-5/16" (33 mm)	2-5/8" (67 mm)	1-1/2" (38 mm)	1.3 lb. (0.6 kg)	1.5 lb. (0.7 kg)	1.8 lb. (0.8 kg)
3/4" (20 mm)	1-5/8" (41 mm)	2-3/8" (59 mm)	—	1-5/16" (33 mm)	3-1/8" (79 mm)	—	1.8 lb. (0.8 kg)	2.2 lb. (1 kg)	—
1" (25 mm)	1-15/16" (49 mm)	2-3/4" (69 mm)	—	1-9/16" (39 mm)	—	—	2.6 lb. (1.2 kg)	—	—

A-127

Valves